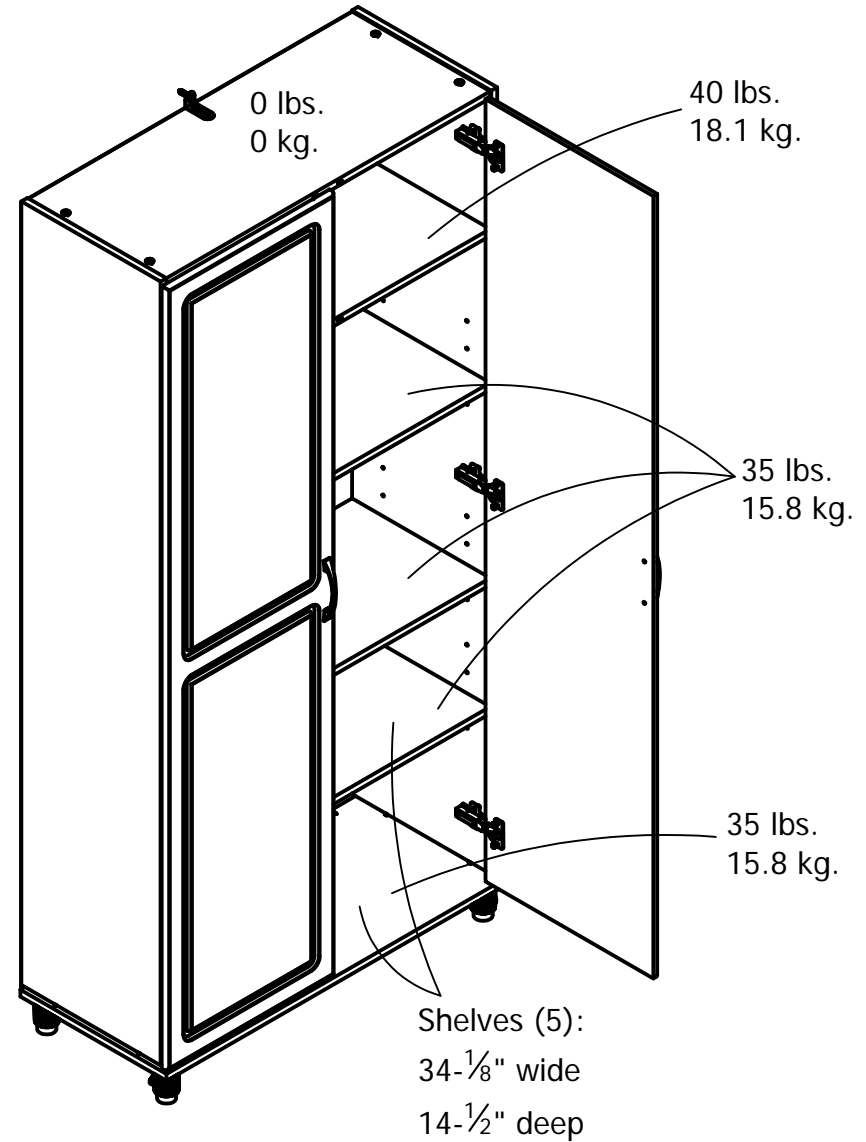
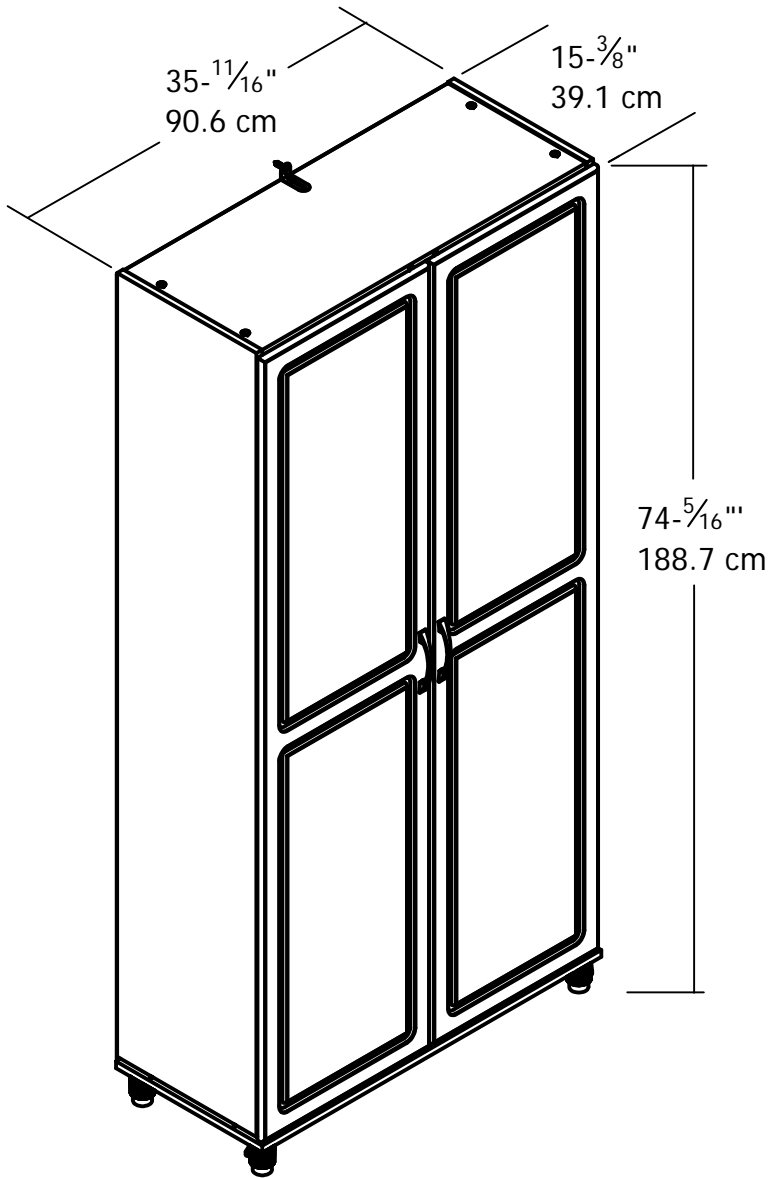


UNIT DESCRIPTION

**36" CABINET**

ASSEMBLED DIMENSIONS (H X W X D)

74-<sup>5</sup>/<sub>16</sub>in.H x 35-11/16 in.W x 15-3/8 in.D  
 188.7cm H x 90.6cm W x 39.1cm D



FINISH: (401) WHITE AQUASEAL  
 (403) ONTARIO WHITE  
 WEIGHT: 130 LBS (58.97 KG)